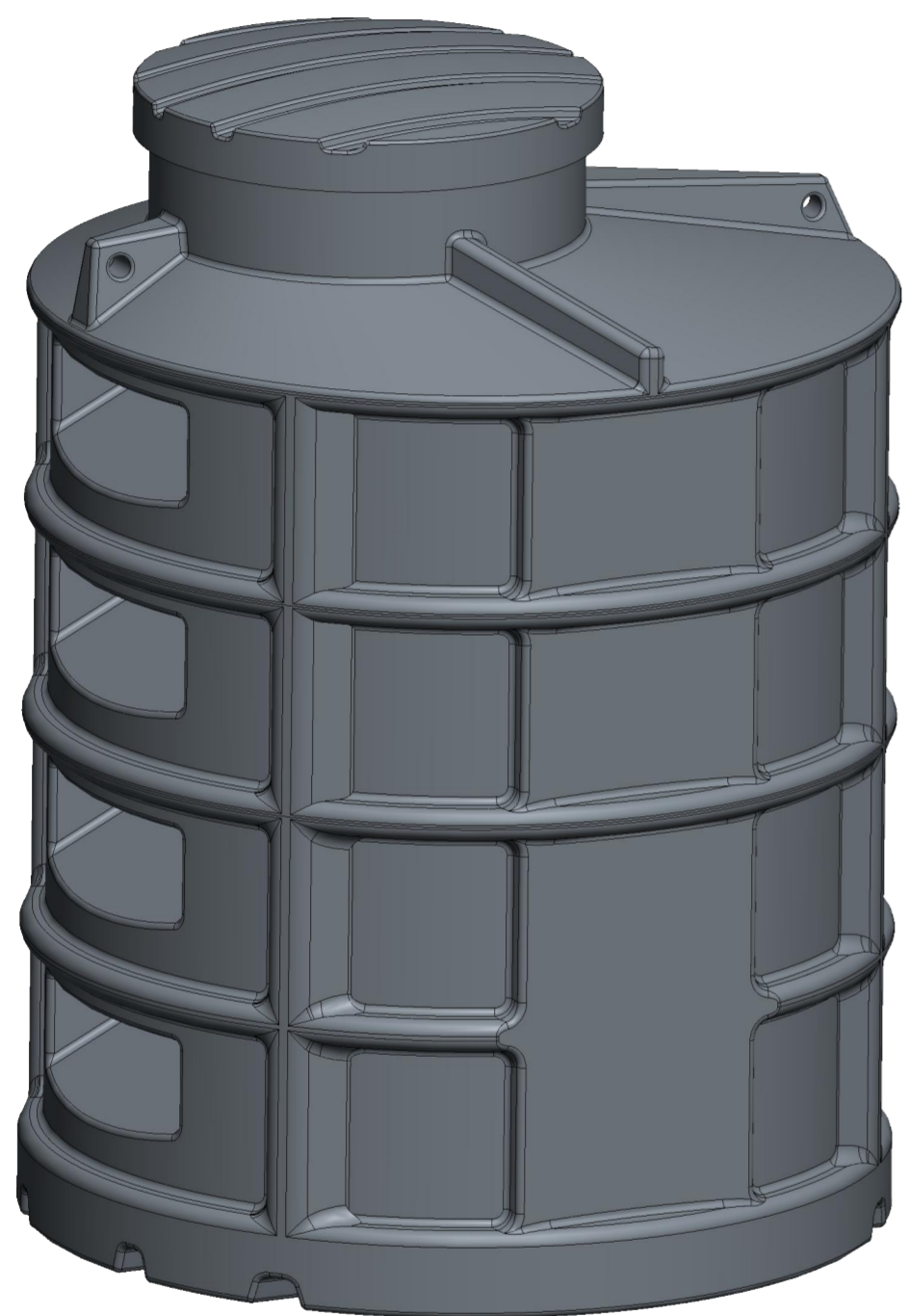


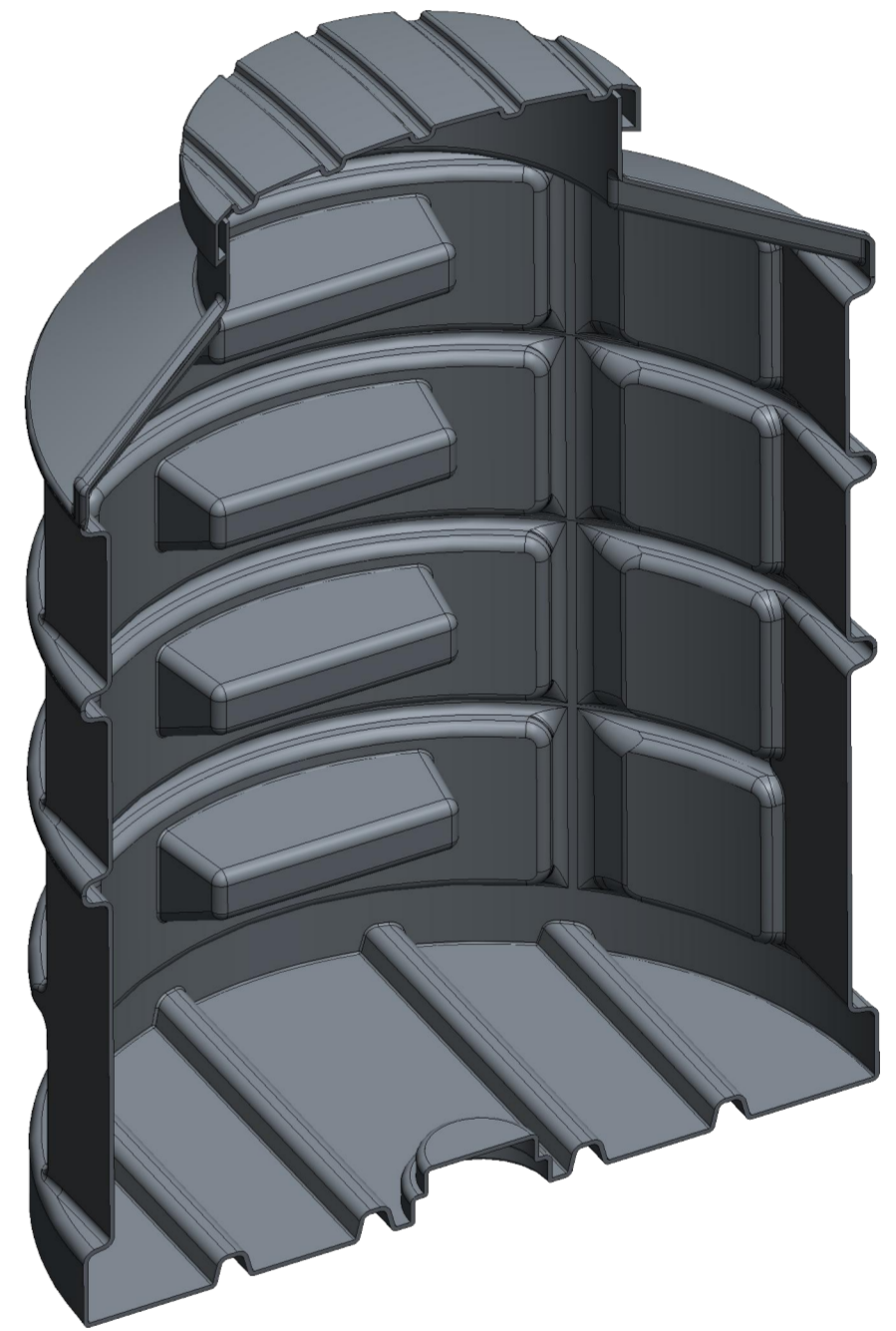
1 2 3 4 5 6 7 8 9 10 11 12

A  
B  
C  
D  
E  
F  
G  
H

A  
B  
C  
D  
E  
F  
G  
H



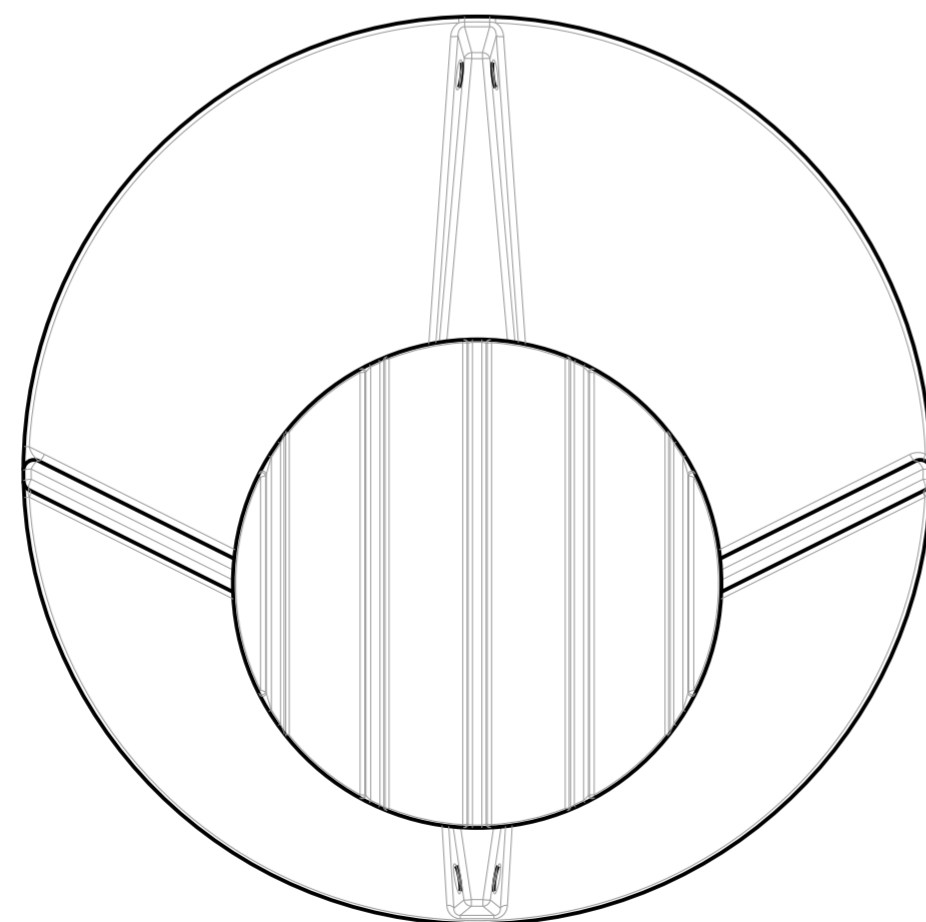
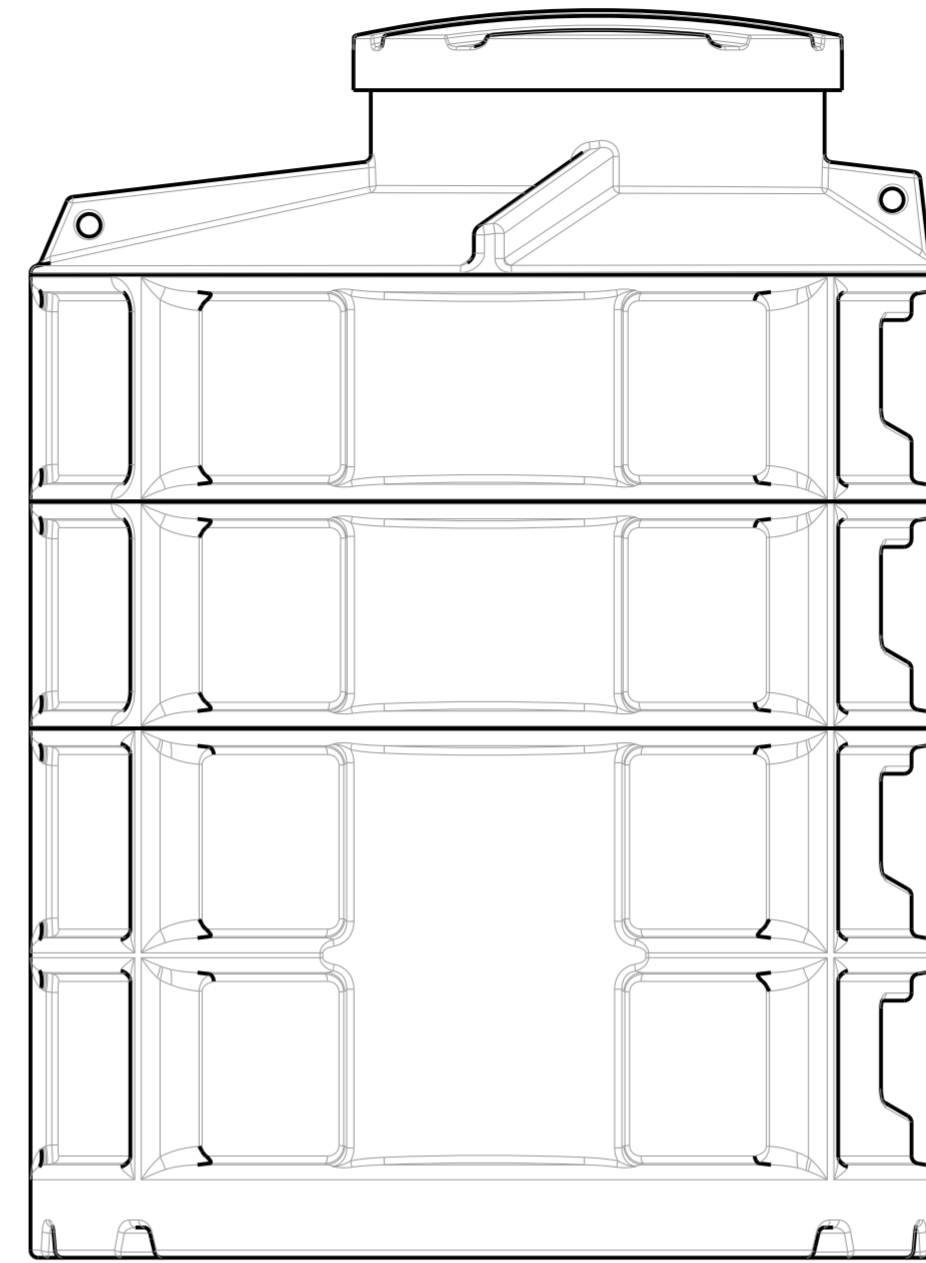
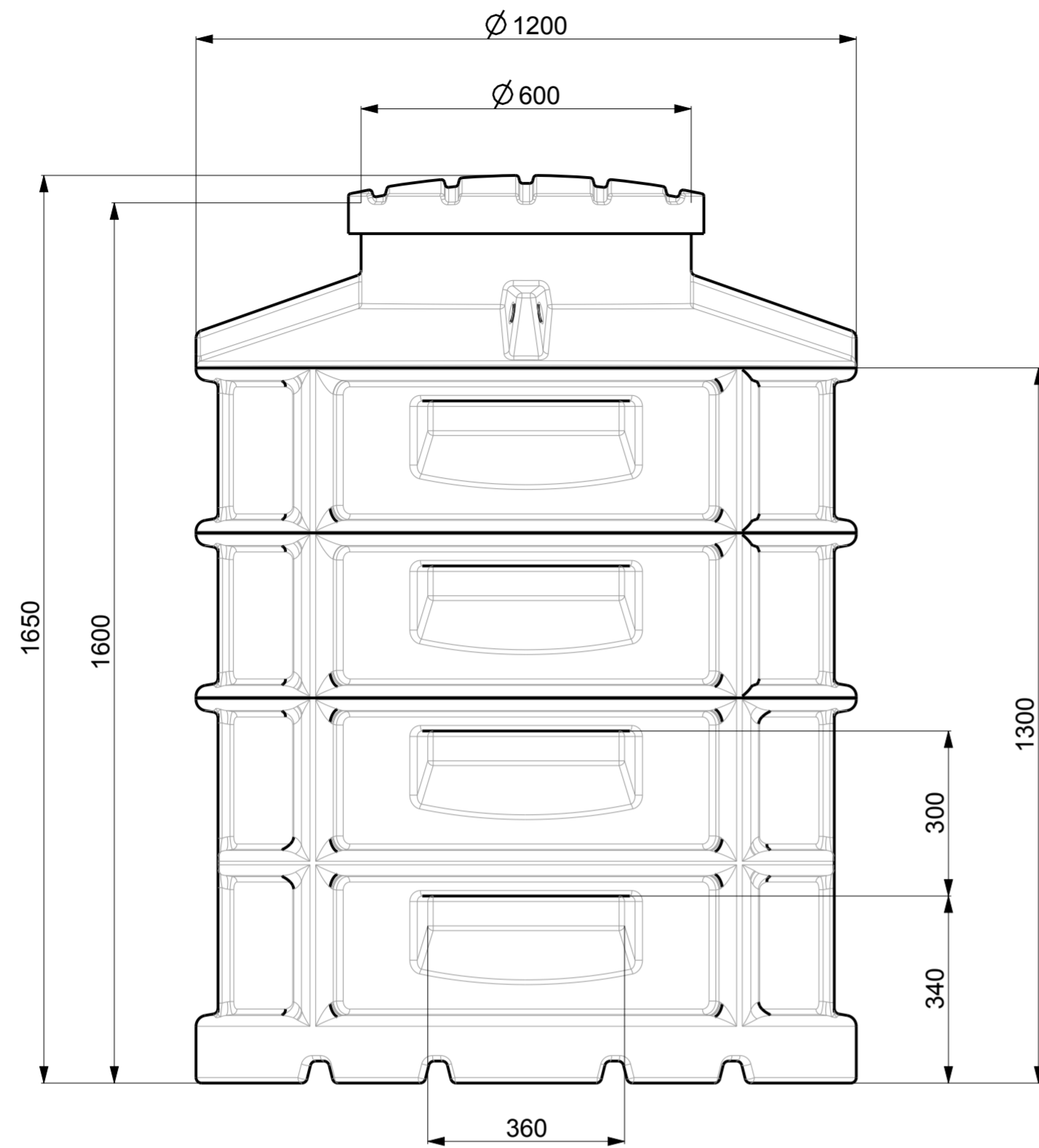
1:10



1:10

1 DLO_300-1	S235	25x25x2-63	
FT_VYSTUZENE S235		25x25x2-63	

Num. Appliance :	MODEL_K	Masse (kg)	63,154	Part	Material	Dimension	Norm	Drawing
SIMOP SK s.r.o. Priemyselna 720 072 22 Strázské SLOVAKIA	Name	Date	Revision :					1:10
	Draw :	Cvercko	Sep-24-18					
	Verif :			Number p	MODEL_KOMPLET_1600	sub-grup		
Name assembly:	Vodomerna sachta X-Lift D1200 - 1600							— ⊕ —
ISO 2768-mk	NAME	MODEL_KOMPLET_1600	Revision	Sheet				
Format : A2	Drawing :		A1	1/4				



1 DLO_300-1	S235	25x25x2-63		
FT_VYSTUZENE S235		25x25x2-63		

Num. Appliance :	MODEL_K	Masse (kg)	63,154	Part	Material	Dimension	Norm	Drawing
SIMOP SK s.r.o. Priemyselna 720 072 22 Strážske SLOVAKIA	Name	Date		Revision :				1:10
	Draw :	Cvercko	Sep-24-18	Number p	MODEL_KOMPLET_1600	sub-grup		
	Verif :							
Name assembly:	Vodomerna sachtu X-Lift D1200 - 1600							
Format : A2	ISO 2768-mk	NAME MODEL_KOMPLET_1600	Revision A1	Sheet 2/4				



